

CR-TEC Engineering

Automated Valve Solutions



ER PLUS

Electric Actuators

Installation and Operation Manual



89 lb-in ⇓ 885 lb-in	IP66 Enclosure protection	50% Duty cycle	 Anticondensation heater	Battery Backup BBPR	POSI Positioning	3 POSITIONS
------------------------------------------	-------------------------------------	--------------------------	-----------------------------	-------------------------------	----------------------------	------------------------------

Index

General information	1
– Description	
– Transport and storage	
– Maintenance	
– Warranty	
– Return of goods	
– Safety instructions	
Position indicator	2
Emergency manual override	2
Dimensions	3
Electric wiring	4
– Warnings	
– Wiring Instructions	
– Electric diagram	
– Electronic boards	
BBPR models	8
– Description	
– Specifications	
– Electronic board	
– LED meaning	
– Electric diagram	
POSI models	10
– Description	
– Electronic board	
– Wiring Instructions	
– Electric diagram	
– Parameter selection sequence	
3-position models	13
– Description	
– Contacts state	
– Electric diagram	
Technical data	14

This product meets the European Directive 2012/19/UE about electrical and electronic equipment (DEEE). It mustn't be mixed with common waste. Please, recycle or dispose of them according to your country laws.



INTRODUCTION

This manual has been made to guide you through the installation and use of our ER PLUS electric actuators. Please, read it carefully before using our products and be sure to keep it.

DESCRIPTION

These electric actuators have been designed to perform the control of a valve with 90° rotation (or 180° in case of 3-position version). We cannot be held responsible for any other use. You can however consult us for any other application.

ATTENTION OWNERS AND USERS

Thank you for purchasing the device. This equipment will provide safe and productive operation as long as it is used in accordance with the instructions in this Manual and is properly maintained. Importantly, unless the user is adequately trained and supervised, there is a possibility of death, serious personal injury, property damage or damage to the equipment.

Owners and users of this equipment bear the responsibility to make certain that this equipment is used properly and safely. READ THIS MANUAL carefully, learn how to use and service this equipment correctly, and strictly follow all of the instructions contained in this Manual and the requirements of local law. Failure to do so could result in death, serious personal injury, property damage or damage to the equipment. This Manual should be considered a permanent part of your machine and should be kept available for easy reference by any user.

Owners should not permit anyone to touch this equipment unless they are over 18 years of age, are adequately trained and supervised, and have read and understand this Manual. Owners should also ensure that no unauthorized personnel come in contact with this equipment.

If this equipment, or any of its parts, becomes damaged or needs repair, stop using the equipment and contact an experienced service individual immediately. If the warning labels or this Manual are misplaced, damaged or illegible, or if you require additional copies, please contact us for these items at no charge.

Please remember that this Manual and the warning labels do not replace the need to be alert, to properly train and supervise users, and to use common sense when using this equipment.

If you are ever uncertain about a particular task or the proper method of operating this equipment, don't hesitate to contact us.

TRANSPORT AND STORAGE

- The forwarding agents being held as responsible for damages and delays of the delivered goods, the consignees are obliged to express if applicable their reserves, prior to accept the goods. The goods delivered directly ex works are subject to the same conditions.
- The transport to the place of destination is carried out by using rigid packing material.
- The products must be stored in clean, dry, and ventilated places preferably on appropriate palettes or shelves.

MAINTENANCE

- Maintenance is ensured by our factory. If the supplied unit does not work, please check the wiring according to the electric diagram as well as the power supply of the concerned electric actuator.
- For any question, please contact our after-sales service.
- To clean the outside of the actuator, use a lint and soapy water. DO NOT USE CLEANING PRODUCT WITH SOLVENT OR ALCOHOL

SAFETY INSTRUCTIONS



To be read prior to the installation of the product

- The electric power supply must be switched-off before any intervention on the electric actuator (i.e. prior demounting its cover or manipulating the manual override knob).
- Any intervention must only be carried out by a qualified electrician or other person instructed in accordance with the regulations of electric engineering, safety, and all other applicable directives.
- Strictly observe the wiring and set-up instructions as described in the manual: otherwise, the proper working of the actuator can not be guaranteed anymore. Verify that the indications given on the identification label of the actuator fully correspond to the characteristics of the electric supply.
- Respect all safety rules during fitting, dismantling and porting of this apparatus.
- Lifting and carrying through strapping the hand wheel is not allowed.
- Do not lift the actuator by the handle (ER10/ER20).
- Do not mount the actuator « upside down ». Risks:
 - Declutching mechanism failure
 - Possible flow of the grease on the electronic board
- Do not mount the actuator less than 30 cm of a electromagnetic disturbances source.
- Do not position the equipment so that it is difficult to operate the disconnecting device.

Position indicator

Handle with position indicator for ER10/20 and round indicator for ER 35/60/100

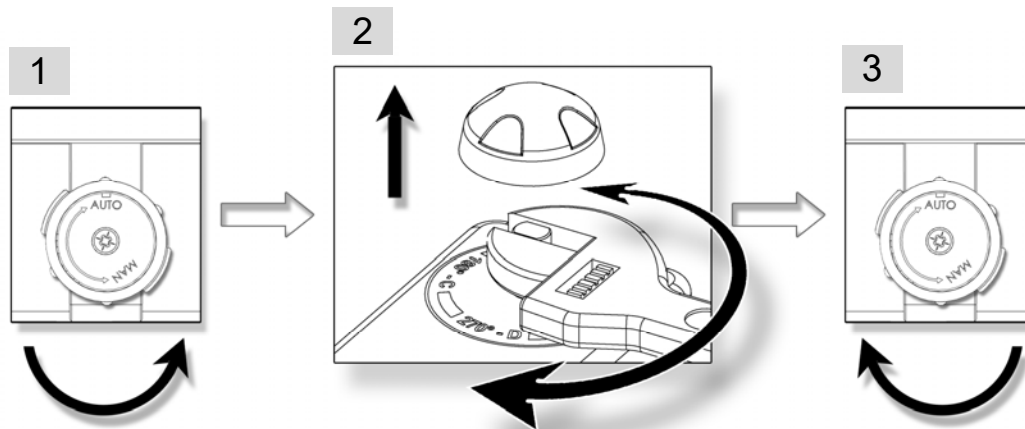
Modular position indicator with three removable position markers (3 yellow + 2 black), adjustable according the type of valve to be actuated



Valve	0°	90°	180°
2-way: 0° = close 90° = open			
3-way (L):			
3-way (T): Ex : T1			

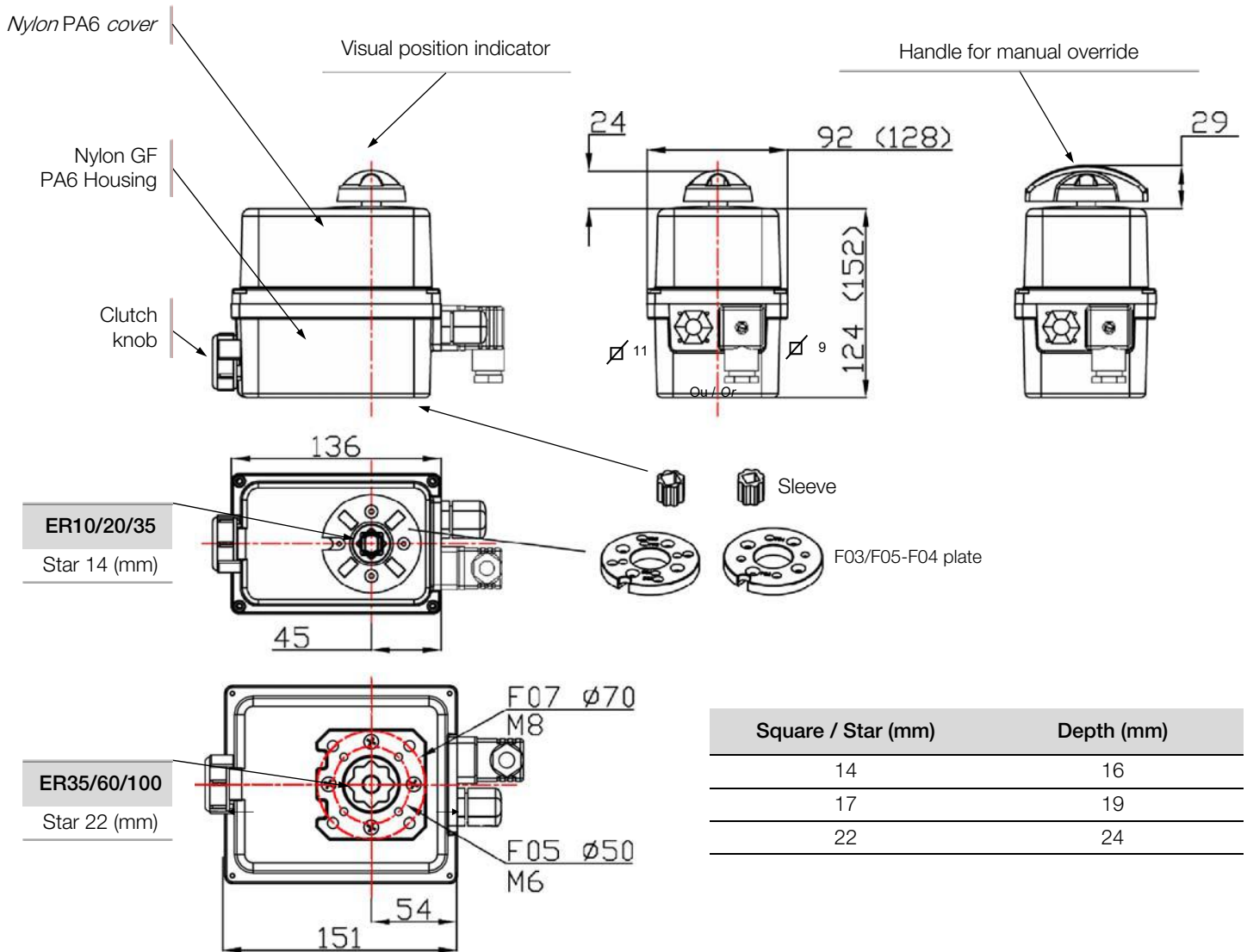
Emergency manual override

The priority functioning mode of this actuator is electric. Be sure than the power supply is switched off before using the manual override



1. Turn the knob to position MAN (counter-clockwise) and hold it in position.
2. Turn the outgoing drive shaft of the actuator with the help of an adjusting spanner.
3. In order to re-engage the reduction, release the knob (spring return).

Dimensions

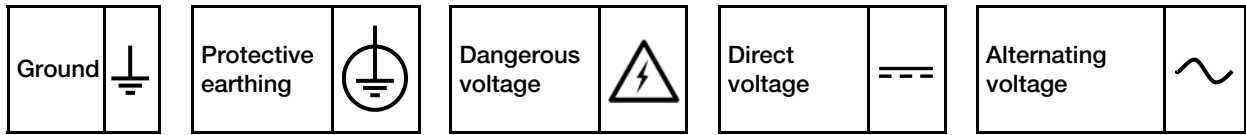


Square / Star (mm)	Depth (mm)
14	16
17	19
22	24

ISO F flange	Diameter (mm)	M threaded	Depth (mm)	Screws quantity
F03	36	M5	14.2	4
F04	42	M5	14.2	4
F05	50	M6	14.2 / 16.4	4
F07	70	M8	16.4	4

Electric wiring

Warnings



- As stipulated in the applicable regulation, the connection to earth contact is compulsory for devices with working voltages exceeding 42V.
- The actuator is always powered, so it must be connected to a disconnection system (switch, circuit breaker) to ensure the actuator power cut, correctly located, easily reached and marked as being the disconnecting device for the equipment.
- An Inrush current may occur when actuators are switched on. Therefore it is necessary to limit the number of actuators on the same line. Alternatively an inrush current limiter at the output of the circuit breaker may be used.
- The terminal temperature can reach 90°C
- For a use with a long power supply wiring, the induction current generated by the wires mustn't be higher than 1mA
- To optimize the installation security, please connect the failure feedback signal (D1 and D2).
- In order to ensure the IP66 tightness, the cable gland for feedback wiring must be used (7 to 12mm cable). Otherwise, the cable gland must be replaced by a ISO M20 IP66 cap.

Instructions

Our cable glands are designed for cables with a diameter between 7mm and 12mm.
The actuator can support MAINS supply voltage fluctuations up to $\pm 10\%$ of the nominal voltage.
It is necessary to connect all actuators to an electrical cabinet

- Remove the position indicator, unscrew the four screws and take off the cover.

SUPPLY AND CONTROL WIRING

- Ensure that the voltage indicated on the actuator ID label corresponds to the voltage supply.
- Connect the wires to the connector in accordance with the required control mode. (see diagram p.21 (or p.26 for POSI) models)
- To ensure the correct functioning of the anti-condensation heaters, the actuator must be permanently power supplied

WIRING OF THE FEEDBACK SIGNAL (Except POSI: p.25)

Our actuators are equipped with two simple limit switch contacts normally set either in open position, either in closed position (see wiring diagram DSBA0436). As per factory setting, the white cam is used to detect the open position (FC1) and the black cam is used to detect the closed position (FC2).

The auxiliary limit switches must be connect with rigid wires. If the applied voltage is higher than 42V, the user must foresee a fuse in the power supply line.

The voltages applied to each feedback switch (FC1 and FC2, SNAA690000 electronic board) must be exactly the same .The reinforced insulation between the feedback signal and the motor control authorizes voltages up to 250V AC.

- Unscrew the right cable gland and insert the cable.
- Remove 25mm of the cable sheath and strip each wire by 8mm.
- Connect the wires to the terminal strip in accordance with the diagram p.21 (or p.26 for POSI models).
- Tighten the cable gland (Ensure that it's well mounted to guaranty the proofness).

Connection to feedback microswitches:

- 4 to 24 V DC and 12 to 250 V AC
- minimum current 100 mA
- maximum current 5 A (resistive), 0.5 A (motor), 0.125 A (capacitive loads)

SETTING OF END LIMIT SWITCHES

The actuator is pre-set in our factory. Do not touch the two lower cams in order to avoid any malfunctioning or even damage to the actuator.

- To adjust the position of the auxiliary contacts, make rotate the two superior cams by using the appropriate wrench.
- Re-mount the cover, fasten the four screws and attach the position indicator.

ELECTRIC WIRING

INSTRUCTIONS - DIN Electrical Connector

Wiring the electrical connector:

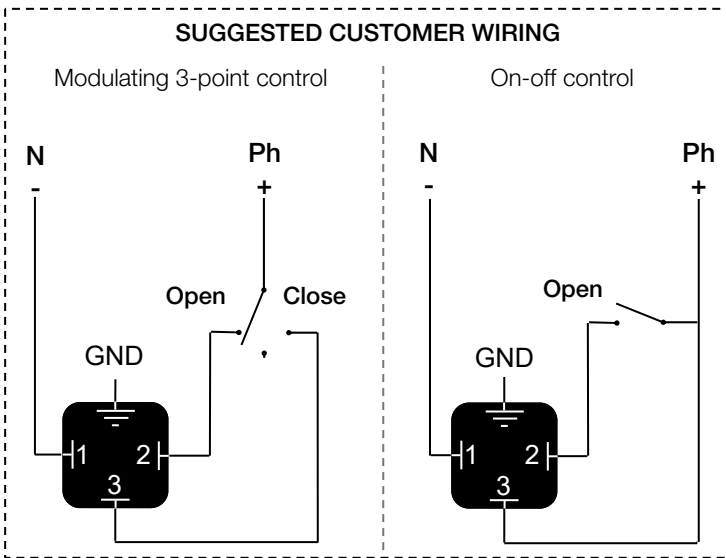
1. Remove the connector screw first, and then use a flat screwdriver to pry apart the two connector halves. Note that the screw placed in the connector locks the two halves together.
2. The center terminal is an optional ground that is normally used with AC current, and not normally used with DC current.
3. When used with a solenoid valve, the polarity for the power connections is not important. The two power wires can each be connected to either of the side terminals. With electric motor actuators, the polarity should be observed for both AC and DC operation.
4. Place the connector on the electric motor actuator or solenoid valve coil and hold in place with the supplied screw.
5. There are two different types of connectors that you may be using, ½" NPT Conduit and Lead Wire. If you are using the Lead Wire type, a jacketed multi-conductor wire is recommended. A rubber grommet is compressed around the jacketed conductor to make a seal. If a tight seal is not important, then any type of wiring can be used.



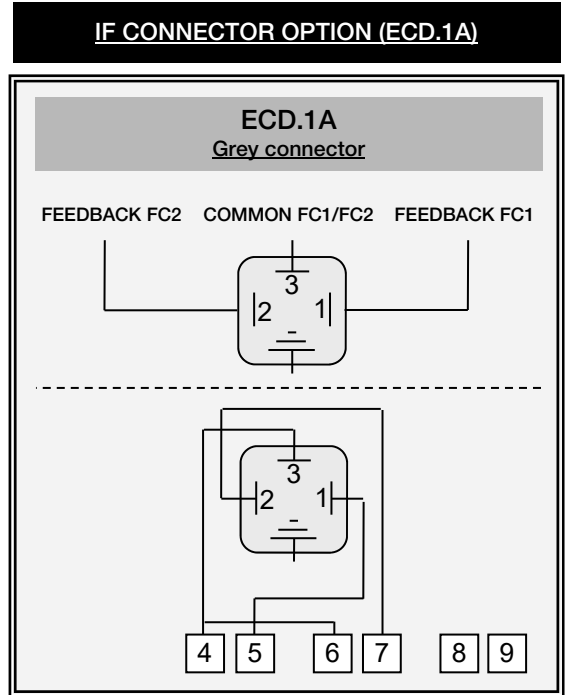
The terminal temperature can reach 90°C
The used wires must be rigid (feedback voltages : 4 to 250V AC/DC)

REP	DESIGNATION		
FCO	Open limit switch	FC1	Auxiliary limit switch 1
FCF	Close limit switch	FC2	Auxiliary limit switch 2
D1/D2	Failure report Terminal strip (24V DC / 3A max)		

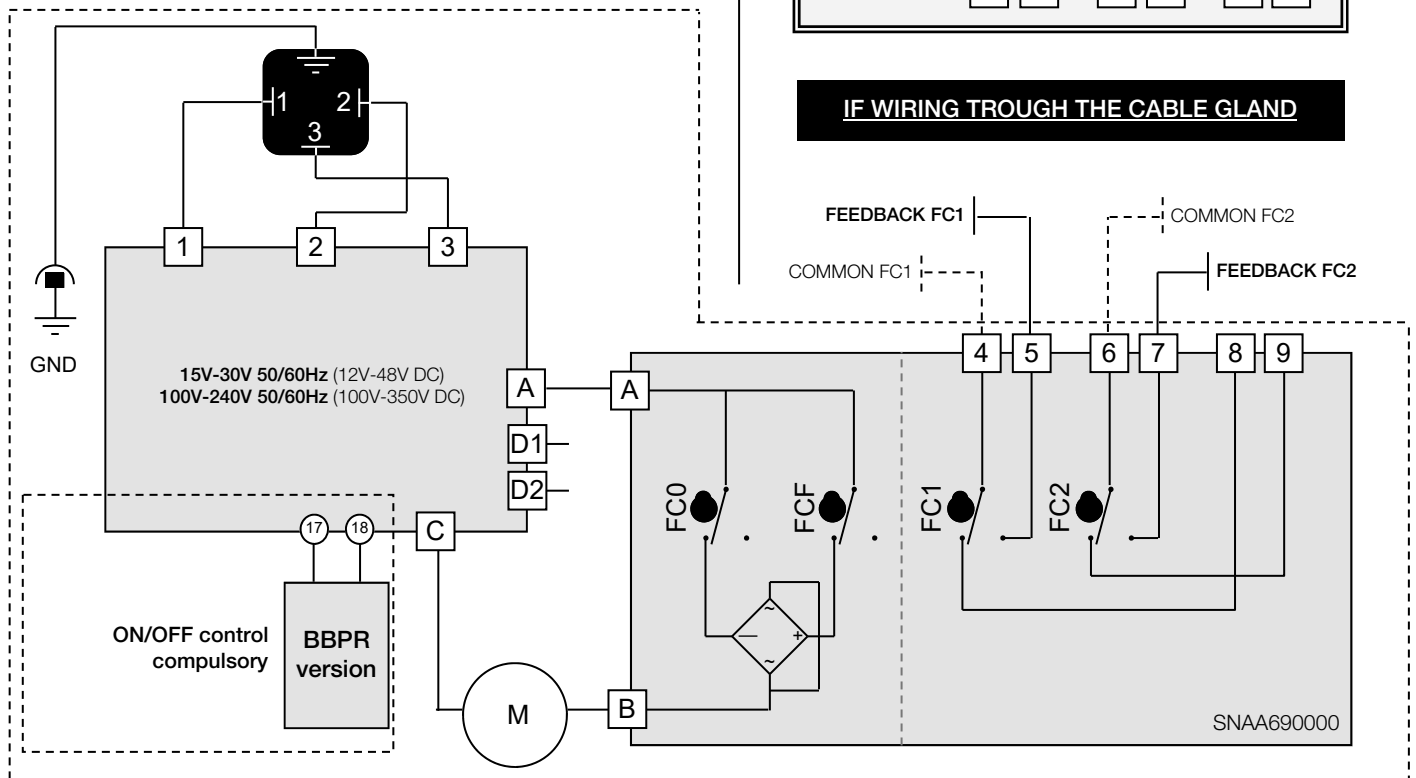
POWER SUPPLY : 3P+T DIN43650 CONNECTOR



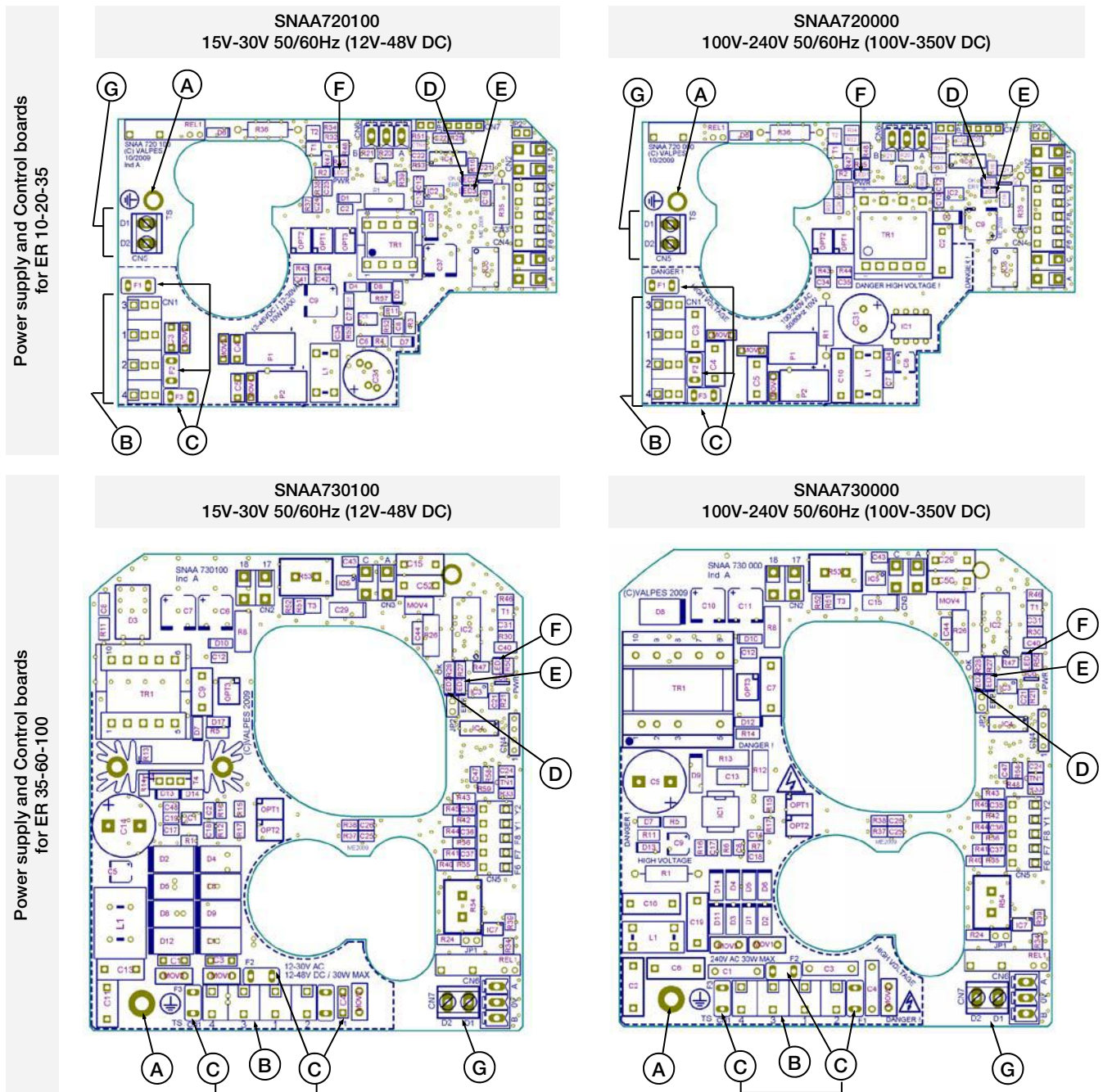
FEEDBACK



IF WIRING THROUGH THE CABLE GLAND



Electronic boards



REP	DESIGNATION	REP	DESIGNATION
A	Earth screw	E**	LED 3 : detected failure
B	Power supply and control terminal	F	LED 1 : power supply presence
C*	Protection fuses	G	Failure report terminal strip (24V DC - 3A max)
D	LED 2 : microprocessor ok		

- * Fuses for multivolt boards
- SNA720100 board: 2A / T 250V (Multicomp MST 2A 250V)
 - SNA720000 board: 500mA / T 250V (Multicomp MST500MA 250V)
 - SNA730100 board: 5A / T 125V (Littelfuse 39615000000)
 - SNA730000 board: 3,15A / T 250V (Multicomp MST 3,15A 250V)

** Possible defects : limitation of current, thermic limitation or program error
=> check that the valve torque is not superior to the maximum torque stand by the actuator
=> check that the actuator do not exceed the duty cycle indicated (possible overheat)
To re-start the actuator, reverse the sense of rotation or switch the power off and on.

BBPR models

Actuators with battery backup position recovery system (on-off wiring mandatory)

BBPR models integrate a battery pack monitored by an electronic board inside the actuator. Its function is to relay in case of power supply failure on terminal PIN 1,2 and 3 of the actuator. The BBPR system can be set on different position like normally open (NO) or normally closed (NC). It depends on the application.

The electronic board monitors the battery pack and check the status of battery (cycle load and failure)

If a battery failure is detected , a contact on PIN 65 and 66 switch off. It's possible to use this contact to be aware that there is a failure on battery in the actuator without remove cover and plan the replacement.

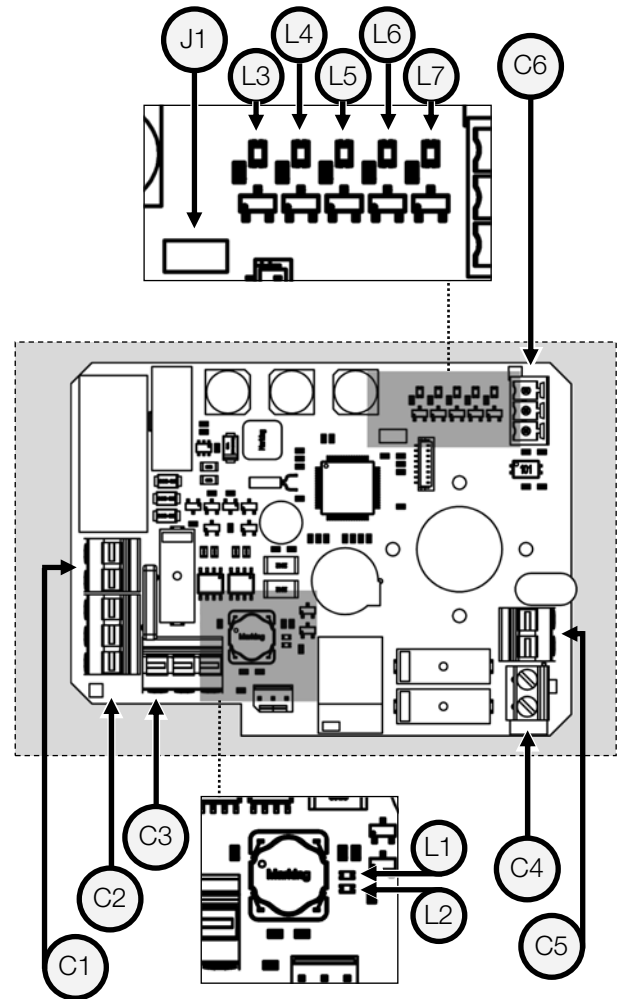
BBPR option requires ON/OFF mode.

Loading electronic board

LED		DESCRIPTION
L1	D19 green	Actuator operating into opening
L2	D18 red	Actuator operating into closing
L3	ACT green	Battery status : -Slow blinking (1s) : battery charged. -Rapid blinking (0.5s) : battery charging
L4	ERROR red	Error detected: -Timestamp memory empty/scheduler selected -Clock failure -Excessive temperature -Excessive torque
L5	HORO Orange	Weekly scheduler functioning mode
L6	MANU Orange	manual / Bluetooth® functioning mode
L7	WIRE Orange	Electric wiring mode

CONNECTEUR		DESCRIPTION
C1	17 (-) · 18 (+)	power supply connector
C2	F (+) · F (-) · T (+)	Battery unit connector
C3	A · B · C	Motor connector
C4 ¹⁾	D3 · D4	Failure feedback connector
C5 ¹⁾	65 · 66	Charging feedback connector
C6	A · 0 · B	RS485 connector
J1	Bluetooth® activation jumper	

1) The auxiliary cables must be connected to inside installation only



Battery voltage	14.4 V DC
Battery capacity	600 mAh
Charging current	180 mA
initial battery charge duration	3,5 h
Charging status feedback relay	24 V DC - 1 A max
Failure feedback relay (D3/D4)	24 V DC - 3 A max
Temperature	-10 °C to +40 °C



The factory default configuration is "normally closed"

Following a power failure, the BBPR unit will reset after 4 minutes

BBPR : setup

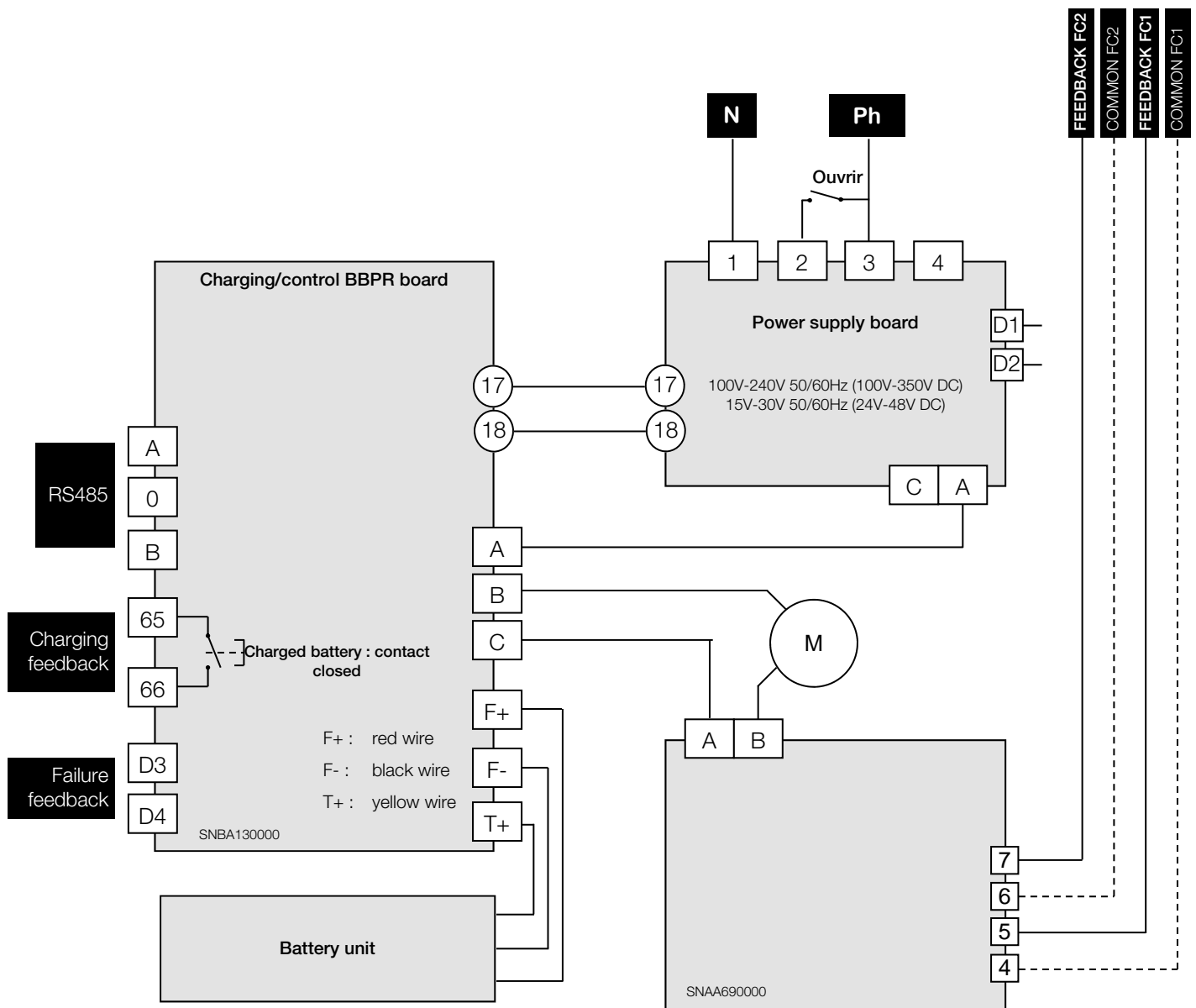
Thanks to **AXMART®**, it's possible to set the Initial security position that the actuator will reach in case of power failure.
it's also possible to access to battery parameters in real time.

For any further information, refer to the operation manual with the reference **DSBA3304**.



! The BBPR actuators can be only on-off mode wired.
The factory default configuration is "normally closed"

BBPR : electric diagram



POSI model

Various control types (control signal on terminals N°15 and N°16)

On request, our cards can be set in factory. The consign and the feedback signal can have different forms (current or voltage). Without any information from the customer, the cards are set for current 4-20mA (control + feedback signal)

Control in modes 0-10V and 0-20mA

In case of outside event, absence of control signal (accidental wires cut for example) but in presence of power, the actuator will travel to defined position (open or closed valve).

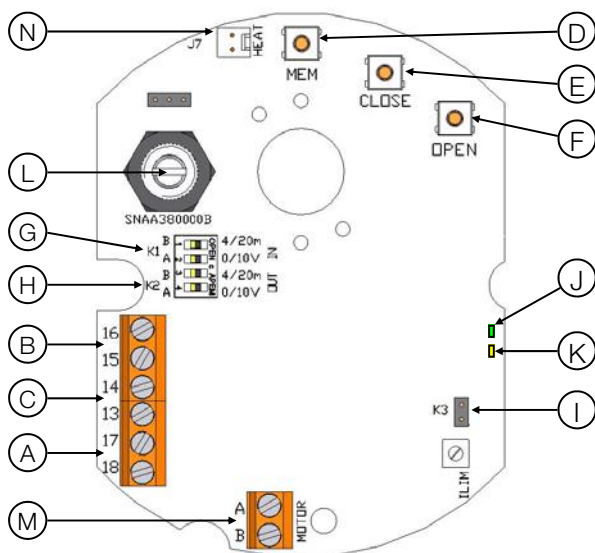
In standard our actuators will close themselves in absence of control signal but there are other possibilities on request.

Control in mode 4-20mA

In case of outside event, absence of control signal (accidental wires cut for example) but in presence of power, the actuator will stay in its position.

In the both cases, when the control signal is restored, the actuator reach automatically the position corresponding to control signal value.

P6 positioning electronic board (0-20mA / 4-20mA / 0-10V)



REP	DESIGNATION
A	24V AC/DC power supply terminal trip
B	Setpoint signal terminal trip
C	Feedback signal terminal trip
D	Adjustment button MEM
E	Adjustment button CLOSE
F	Adjustment button OPEN
G	K1 shunt
H	K2 shunt
I	K3 shunt
J	Green and red LEDs
K	Yellow LED : power supply indication
L	Potentiometer
M	Motor connexion
N	Heating resistor connector



Actionneur déjà préréglé en usine

P6 positioning board wiring (input and output signal)

In order to avoid electromagnetic perturbations, it is compulsory to use shielded cables (cables longer than 3m).

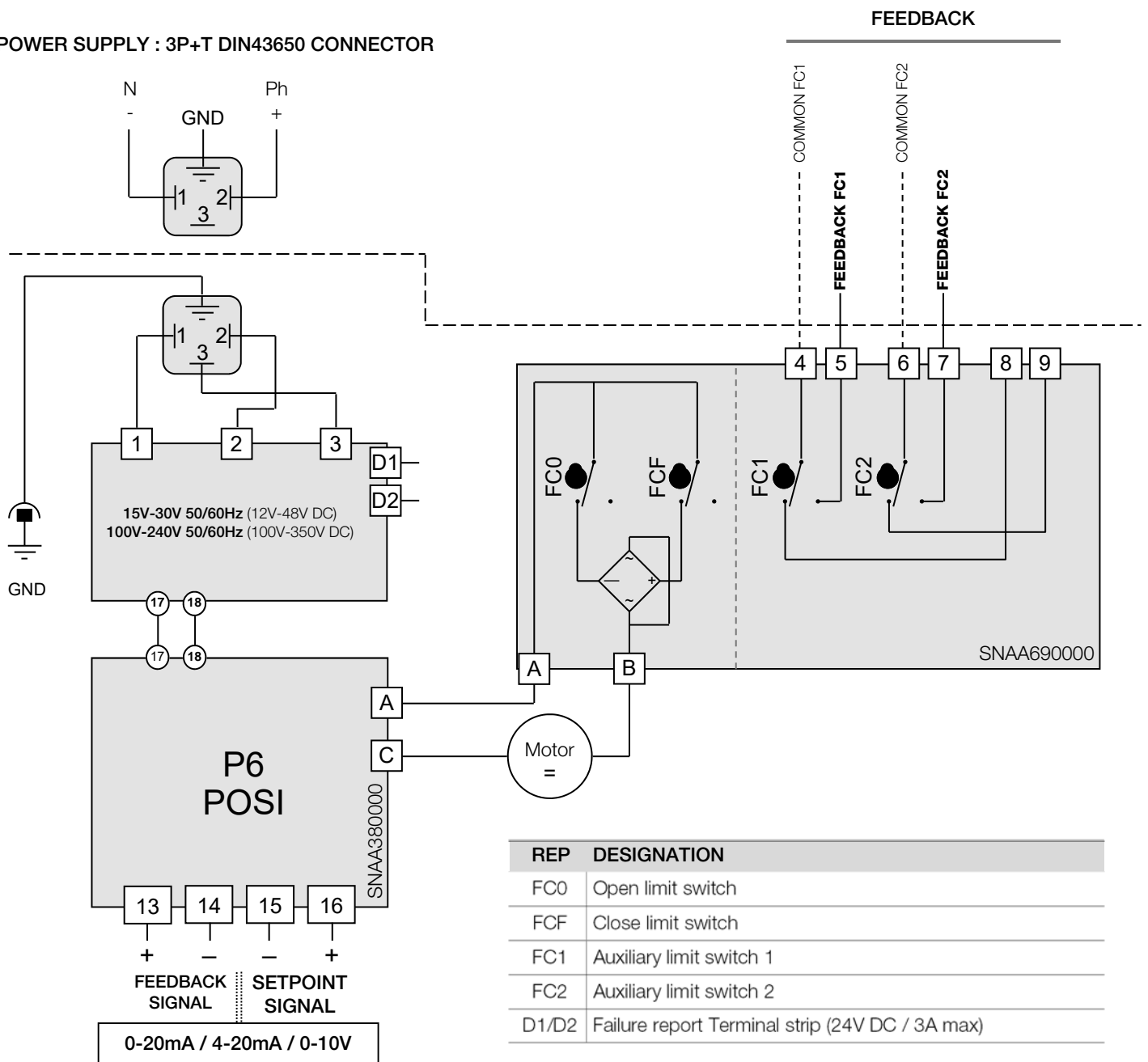
- Unscrew the gland and pass the cable.
- Connect the setpoint signal between terminals 15 and 16.
Terminal 15 is the negative polarity (-) and terminal 16 is the positive polarity (+).
- Connect the feedback signal between terminals 13 and 14.
Terminal 13 is the positive polarity (+) and terminal 14 is the negative polarity (-).
- Tighten the cable gland (Ensure that it's well mounted to guaranty the proofness).

Factory setting : by default, 4-20mA input and output signals with normal rotation direction.

To proceed to a new setting of the card : please see page 27, "Parameter selection sequence".

To check the proper operation of the card : please see page 27, "Normal operating mode".

POWER SUPPLY : 3P+T DIN43650 CONNECTOR



The card resolution is 1°
 10 kOhm input impedance if control with voltage (0-10V)
 100 Ohm input impedance if control with current (0-20mA ou 4-20mA)

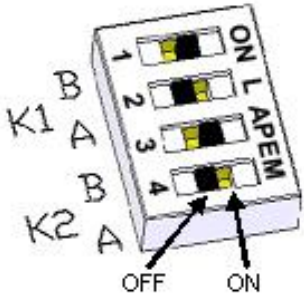


- The control voltage must be S.E.L.V. (Safety Extra Low Voltage).
- The terminal temperature can reach 90°C.
- The feedback must be connect with rigid wires. If the applied voltage is higher than 42V, the user must foresee a fuse in the power supply line.
- For a use with a long power supply wiring, the induction current generated by the wires mustn't be higher than 1mA.
- The used wires must be rigid (feedback voltages: 4 to 250V AC/DC).

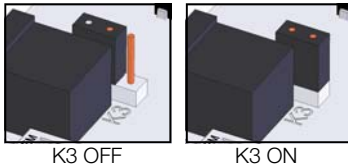
PARAMETER SELECTION SEQUENCE

1 K1, K2 and K3 shunts positioning

Position the shunts as follows (before modification, switch off the card):



Setpoint signal	Feedback signal	Shunt K1		Shunt K2		Shunt K3
		A	B	A	B	
0-10V	0-10V	ON	OFF	ON	OFF	OFF
0-10V	0-20mA	ON	OFF	OFF	ON	OFF
0-10V	4-20mA	ON	OFF	OFF	ON	ON
0-20mA	0-10V	OFF	ON	ON	OFF	OFF
0-20mA	0-20mA	OFF	ON	OFF	ON	OFF
0-20mA	4-20mA	OFF	ON	OFF	ON	ON
4-20mA	0-10v	OFF	ON	ON	OFF	OFF
4-20mA	0-20mA	OFF	ON	OFF	ON	OFF
4-20mA	4-20mA	OFF	ON	OFF	ON	ON



2 Selection of the flow direction of the valve

2.1 Normal flow direction (by default)

- Press the **OPEN** button and apply the operating voltage to the card while keeping this button pressed.
- The **green LED** lights up. Release the **OPEN** button.
- Disconnect the card.



2.2 Inverse flow direction

- Press the **CLOSE** button and apply the operating voltage to the card while keeping this button pressed.
- The **red LED** lights up. Release the **CLOSE** button.
- Disconnect the card.



3 Selection of the type of input control signal

3.1 Voltage control signal 0-10V

- Press the **MEM** button and apply the operating voltage to the card while keeping this button pressed.
- The **red LED** will light up 3 times. Release this button.
- Disconnect the card.



3.2 Current control signal 0-20mA

- Press the **MEM** and **OPEN** buttons and apply the operating voltage to the card while keeping these buttons pressed.
- The **red LED** will light up 3 times. Release these buttons.
- Disconnect the card.



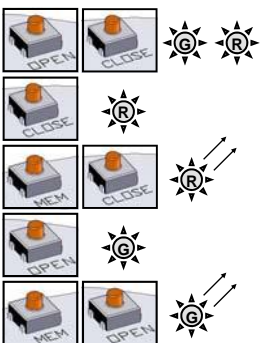
3.3 Current control signal 4-20mA (by default)

- Press the **MEM** and **CLOSE** buttons and apply the operating voltage to the card while keeping these buttons pressed.
- The **red LED** will light up 3 times. Release these buttons.
- Disconnect the card.



4 Learning mode

- Press the **OPEN** and **CLOSE** buttons and apply the operating voltage to the card while keeping these buttons pressed.
- The **2 LEDs** will light up. Release these buttons and the **2 LEDs** will run out. The card is now in the learning mode.
- Press the **CLOSE** button to put the valve in its closed position. The **red LED** will light up.
- Store this selected closed position by pushing **MEM + CLOSE**, the **red LED** will light up 2 times as a confirmation of acknowledgement.
- Press the **OPEN** button to put the valve in its open position. The **green LED** will light up.
- Store this selected open position by pushing **MEM + OPEN**, the **green LED** will light up 2 times as a confirmation of acknowledgement.
- Now, the positions selected have been stored. Disconnect the card.



NORMAL OPERATING MODE

- Apply the operating voltage to the card. The **green LED** will light up 3 times.
- Under normal operating conditions, the **green LED** will light up when the drive motor opens the valve, and the **red LED** will light up when the drive motor closes it.
- If **both LEDs** remain ran out, it means that the drive motor has not been triggered.



In the case of an over torque, the motor stops and the **2 LEDs** lights then together to indicate the action of the torque limiter. To re-start it, you must either reverse the sense of rotation, either switch the power off and on.

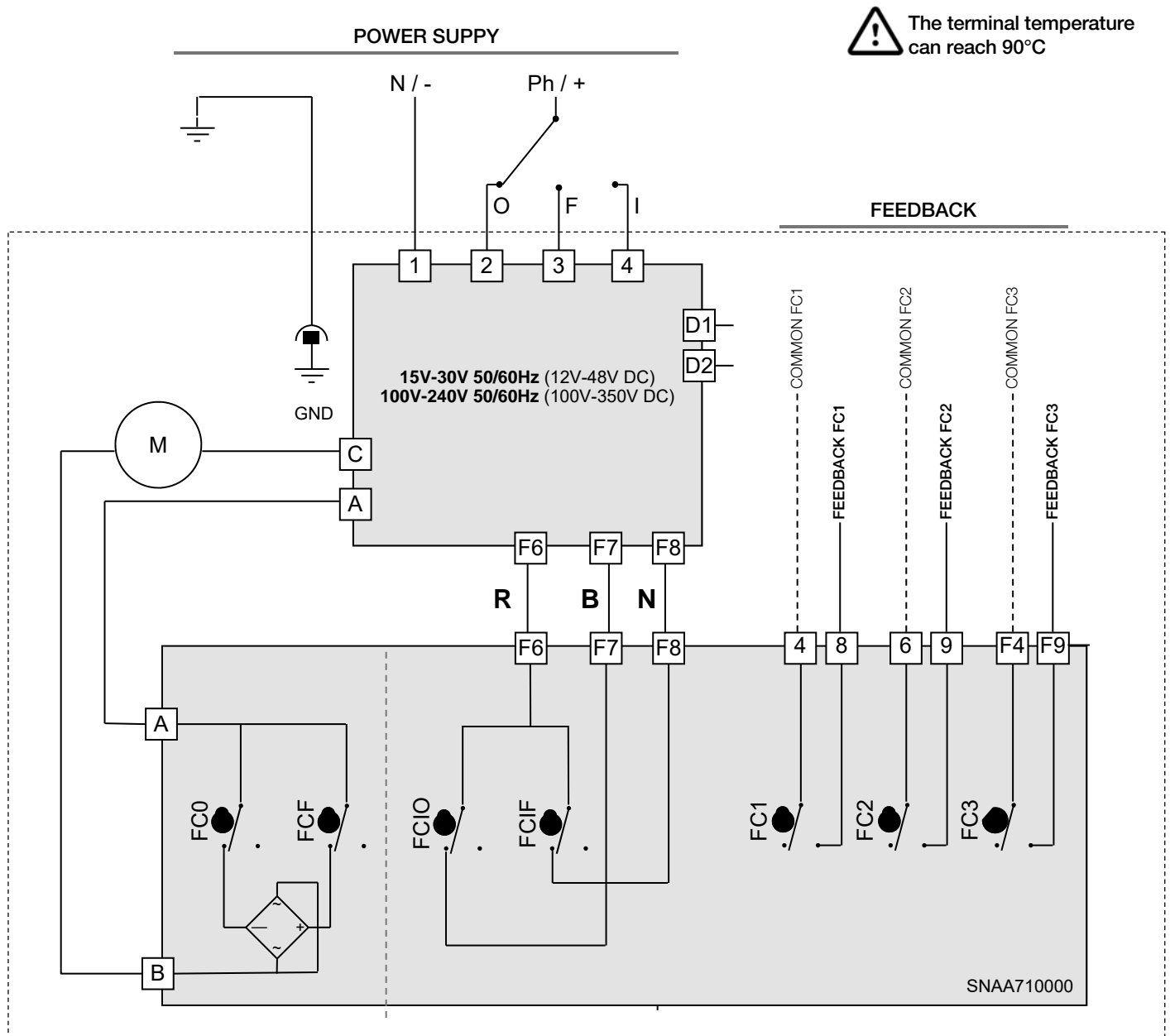


3-position model

Actuator with a third position

GF3 option allow actuator to be drive and stop in 3 positions. These 3 positions could be between 0° to 180°. In standard actuators are setting in our workshop at 0° 90° 180° that's fit with standard 3 ways ball valve. Others positions still available but customer have to price on the order witch position is request.

These 3 positions are controlled by 4 switches (FC0,FCF,FCIO and FCIF) and 3 switches for feed back signal Switches FC1,FC2 are NO contact (close the circuit in extreme position) and FC3 is a NC contact (open the circuit in intermediate position)



	Terminals		
	6 & 9	4 & 8	F4 & F9
0°	Closed	Open	Closed
inter	Open	Open	Open
180°	Open	Closed	Closed

REP	DESIGNATION	REP	DESIGNATION
FC0	Open limit switch	FC1	Auxiliary limit switch 1
FCF	Close limit switch	FC2	Auxiliary limit switch 2
FCIO	Intermediate open limit switch	FC3	Auxiliary limit switch 3
FCIF	Intermediate close limit switch	D1/D2	Failure report Terminal strip (24V DC / 3A max)

TECHNICAL DATA						
Type (1/4 turn electric actuator)	ER10	ER20	ER35	ER35	ER60	ER100
Housing type	Small housing (see p.19)			large housing (see p.19)		
IP protection (EN60529)	IP66 (dusts, water spraying « flow <12.5 L/min »)					
Corrosion resistance (outdoor and indoor use)	Housing: PA6 UL94V0 + 25% GF and cover: PA6 UL94V0 Raw material : 304L Stainless Steel or Steel + Zn treatment					
Temperature	-10°C to +55°C (BBPR GS2: -10°C to +40°C)					
Hygrometry	maximum relative humidity 80 % for temperatures up to 31 °C decreasing linearly to 50 % relative humidity at 40 °C					
Pollution degree	Applicable POLLUTION DEGREE of the intended environment is 2 (in most cases).					
Altitude	altitude up to 2 000 m					
Extended environmental conditions	Outdoor use and in WET LOCATION					
Sound level	61 dB					
Weight	1 Kg			2.1 Kg		
MECHANICAL DATA						
Nominal torque	10Nm	20Nm	35Nm	35Nm	60Nm	100Nm
1/4 turn travel time (standard ER)	11s	11s	25s	7s	12s	23s
1/4 turn travel time (slow ER)				41s	79s	119s
1/4 turn travel time (ER POSI)		25s		41s	79s	119s
Mounting actuator base (ISO5211)	Star 14 F03-F04-F05			Star 22 F05-F07		
Swing angle	90° (others on request)					
Mechanical end stops	90° +/- 5°					
Manual override	Out axle					
Direction of rotation	Anticlockwise to open					
ELECTRICAL DATA						
Voltage ±10%	100 V to 240 V AC 50/60 Hz and 100 V to 350 V DC 15 V to 30 V AC 50/60 Hz and 12 V to 48 V DC					
Voltage ±10% (BBPR GS2)	100 V to 240 V AC 50/60 Hz and 100 V to 350 V DC 24 V to 30 V AC 50/60 Hz and 24 V to 48 V DC					
Frequency	50/60Hz					
Power consumption	15W (0.08A) cos j = 0.75			45W (0.15A) cos j = 0.75		
Overvoltage category	TRANSIENT OVERVOLTAGES up to the levels of OVERVOLTAGE CATEGORY II TEMPORARY OVERVOLTAGES occurring on the MAINS supply					
Torque limiter	Electric					
Duty cycle (CEI34)	50%					
Limit switches maximal voltage	4 to 250V AC/DC (Overvoltage category II)					
Limit switches maximal current	1mA to 5A max					
Electrical wiring	1 ISO M20 cable gland and 1 DIN43650 3P+T connector					
Inrush current	Circuit breaker type D, nominal current according the number of actuators (max. 4 actuators) or use a inrush current limiter at the output of the circuit breaker.					

CR-TEC Engineering Inc.

CR-TEC Engineering Inc.

15 Orchard Park Road, Unit 18
Telephone 203-318-9500 • Fax 203-245-2575
info@crtec.com • www.crtec.com