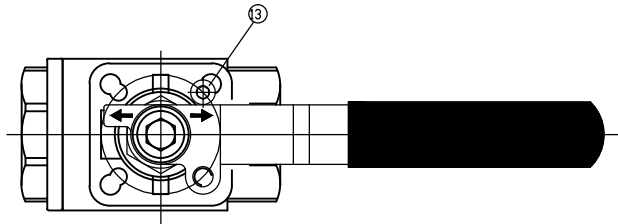


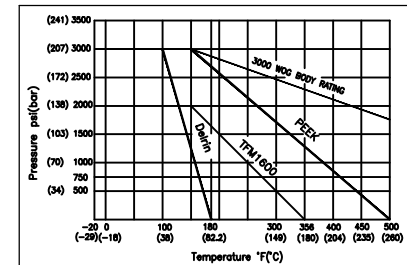
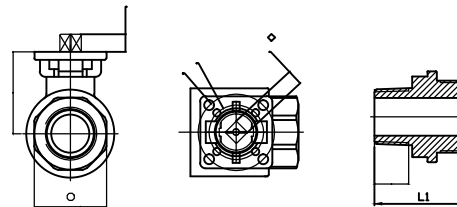
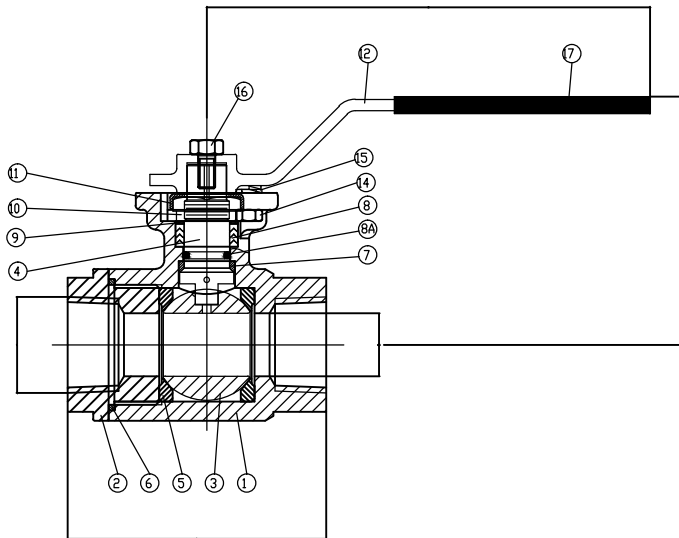
REVISION	DESCRIPTION	DATE	APPROVED
A	Initial Release	4/16/19	CWL



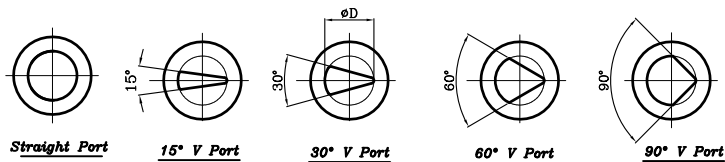
**2-PC DIRECT MOUNT BALL VALVE**

- Each integrated ISO-5211 Mounting Pad
- Square Stem can be with direct Mount without Bracket/Adaptor.
- Stem is with Blow-out Proof design as well as Anti-Static device.
- Viton O-Ring on Stem gives extra support and assurance of tightness.
- Stem seal is with 45 degree against stem, which increases tightening effect.
- Except actuating service, handle lever is available for Manual Operation
- Working Pressure :3000psi
- SIZE : 1/4" ~ 2RP"
- TEST PRESSURE  
SEAT(AIR):80PSI  
SHELL(HYDROSTATIC):4500PSI

ITEM	Part Name	Material	Q'ty
1	Body	CF8M	1
2	End Cap	CF8M	1
3	Ball	CF8M	1
4	Anti Static Stem	SS316	1
5	Ball Seat	DELRIN/PEEK	2
6	Body Seal	PTFE/TEFLON	1
7	Thrust Washer	PTFE/DELRIN/PEEK	1
8	Stem Packing	PTFE/TEFLON	1
8A	O-ring	VITON	1
9	Thrust Washer	50%SS-50%PTFE	1
10	Stem Nut	SS304	1
11	Lock Saddle	SS304	1
12	Handle	SS304	1
13	Stop Bolt	SS304	1
14	Stop Nut	SS304	1
15	Stop Washer	SS304	1
16	Handle Bolt	SS304	1
17	Handle Sleeve	VINYL	1



SIZE	ØID	A	B	C	□E	○F	G	h	H	L	L1	D	T
1/4"	9.6	F03	F04	126	9	25.9	41.0	8	72	75	88.9	11.4	NPT
3/8"	9.6	F03	F04	126	9	25.9	41.0	8	72	75	88.9	11.4	
1/2"	12.7	F03	F04	126	9	32.6	41.0	8	72	75	92	15	PT
3/4"	17.5	F03	F04	126	9	38.4	43.8	8	75	81	99	16	
1"	22.1	F04	F05	156	11	47.2	53.5	10	87	91	113	20	PF
1-1/4"	29.0	F04	F05	156	11	58.9	59.0	10	93	110	127.1	21	
1-1/2"	34.7	F05	F07	181	14	66.2	75.2	13	114	121	141	22	
2RP"	34.7	F05	F07	181	14	82.0	75.2	13	114	145	155	23	2999



APPROVALS	DATE
DRAWN CML	4/16/19
CHECKED CWL	4/16/19
MATERIAL Stainless	
FINISH Standard Machine Finish	
UNLESS OTHERWISE SPECIFIED DIMENSIONS ARE IN MILLIMETERS	
DECIMALS	ANGLES
X.X=+/- .025"	+/- 5 degrees
X.XX=+/- .010"	
X.XXX=+/- .002"	

**CR-TEC Engineering Inc.**

15 Orchard Park Road ~ Unit 18 - Madison, CT 06443  
Phone (203) 318-9500 - www.crtec.com

2-Piece Direct Mount High Pressure Ball Valve  
CRS329HP (DELIN Seats)  
CRS429HP (PEEK Seats)

SCALE: None