



< STANDARDS >



ASTM D1784  
ASTM D2464  
ASTM D2466  
ASTM D2467  
ASTM F1498



ANSI B1.20.1

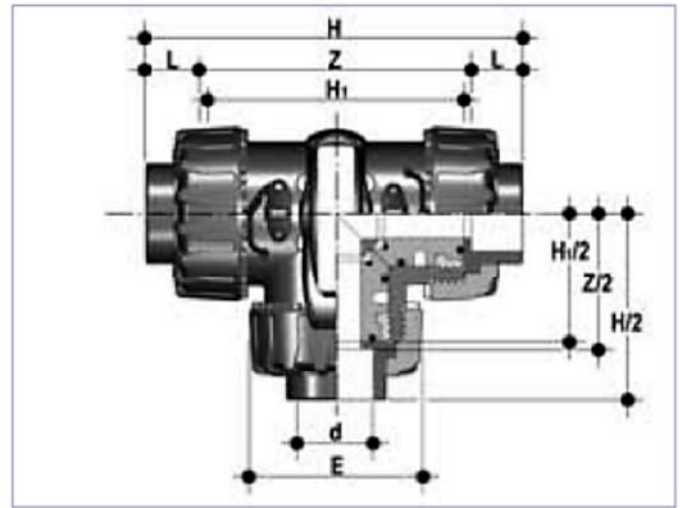
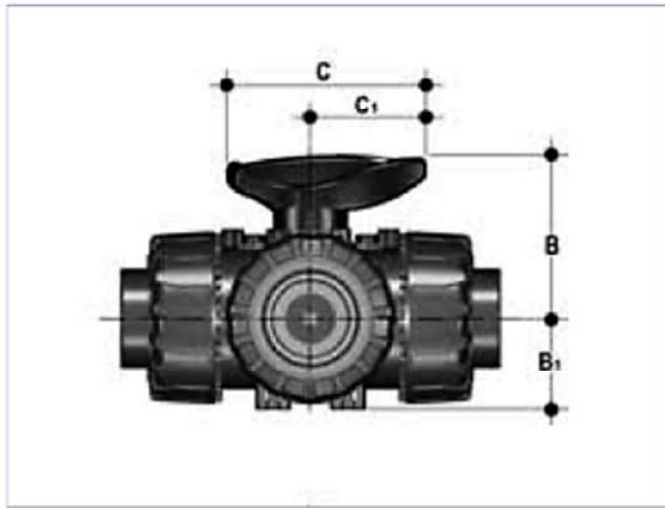
CR-TEC 3-Way ball valves can be used for flow diverting, mixing, or on/off isolation. They offer a variety of advanced features such as the patented seat stop carrier, a high quality stem and ball support system, and the DUAL BLOCK system which locks the union nuts preventing back-off due to vibration or thermal cycling. Deep grooves, thick O-rings, and cushioned PTFE seats contribute to strong seals at pressures up to 232 psi while an integral mounting flange and support bracket combine for simple adaptation for actuation and anchoring. Actuators can be configured for 90° or 180° operation.

Available from CR-TEC with manual handles, pneumatic or electric actuators.

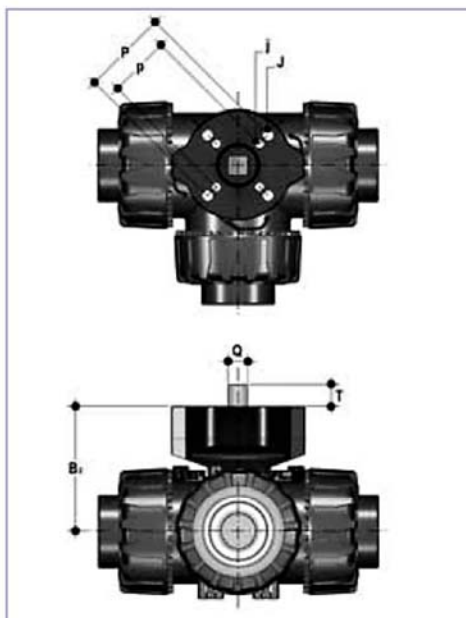
### Valve Availability:

Body Material:	PVC
Size Range:	1/2" through 4"
Pressure:	232 psi
Seats:	PTFE
Seals:	EPDM or Viton (FPM)
End Connections:	Threaded NPT, Socket (IPS)
Actuator Control:	Electric, Pneumatic (Double Acting or Spring Return)

### dimensions



Dimensions (inches)										
Size	d	C	C <sub>1</sub>	B	B <sub>1</sub>	L	Z	H	H <sub>1</sub>	E
1/2	0.84	2.64	1.57	2.13	1.14	0.91	3.43	5.20	3.15	2.13
3/4	1.05	3.35	1.93	2.56	1.36	1.00	4.26	6.27	3.94	2.56
1	1.32	3.35	1.93	2.74	1.54	1.13	4.59	6.85	4.33	2.87
1-1/4	1.66	4.25	2.52	3.25	1.81	1.26	5.55	8.07	5.16	3.39
1-1/2	1.90	4.25	2.52	3.50	2.05	1.38	6.20	8.96	5.83	3.86
2	2.38	5.28	2.99	4.25	2.44	1.50	7.50	10.51	7.05	4.80



Dimensions (inches)					
Size	a	T	Q	p / P	j / J
1/2	2.28	0.47	0.43	F03 / F04	0.22
3/4	2.89	0.47	0.43	F03 / F05 or F04	0.22 / 0.26 or 0.22
1	2.91	0.47	0.43	F03 / F05 or F04	0.22 / 0.26 or 0.22
1-1/4	3.82	0.63	0.43 or 0.55	F05	0.26
1-1/2	4.09	0.63	0.43 or 0.55	F05	0.26
2	4.49	0.63	0.43 or 0.55	F05 / F07	0.26 / 0.33

