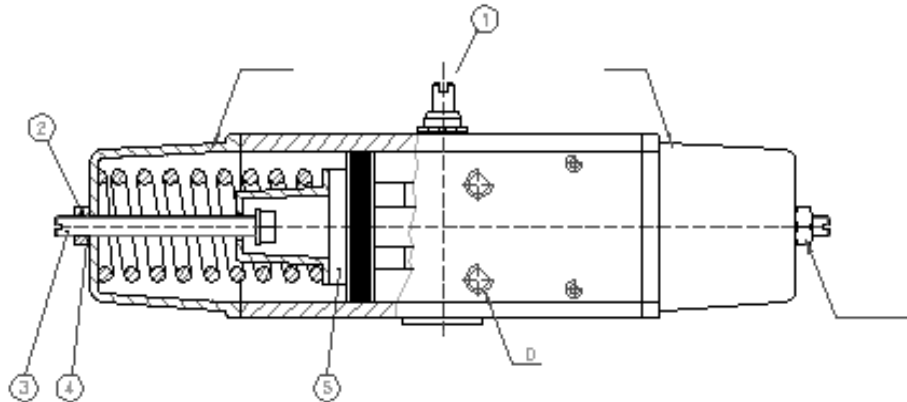


### Spring Return Actuator Stroke Adjustment



1. The springs must be at the resting position, with the shaft (Part 1) as shown in the drawing. The air connection D must not be supplied with air.
2. Loosen the lock nuts (Part. 2).
3. With a screwdriver, turn screws (Part. 3) in a clockwise direction until you to obtain the desired end stroke position. Note that the maximum stroke adjustment is 10°, ranging from 80° to 90°.
4. With a screwdriver, turn screws (Part. 3) in a clockwise direction until you to obtain the desired end stroke position. Note that the maximum stroke adjustment is 10°, ranging from 80° to 90°.
5. Supply connection D with air pressure and check end stroke positions.
6. Tighten the lock nuts.